

# DV-961F

## DVI with Stereo Audio Extender over single Fiber

The DV-961F is a perfect solution that extends WUXGA (1920 x 1200) DVI-D with 3.5mm stereo audio across single Optical Fiber. The extender contains a DV-961FT transmitter and a DV-961FR Receiver. Based on single-core Optical Fiber Module Transceiver with adopt visually lossless video compression algorithm technology, the device achieves razor sharp video and audio quality in noisy environments. It also supports 2-way RS-232 extension.

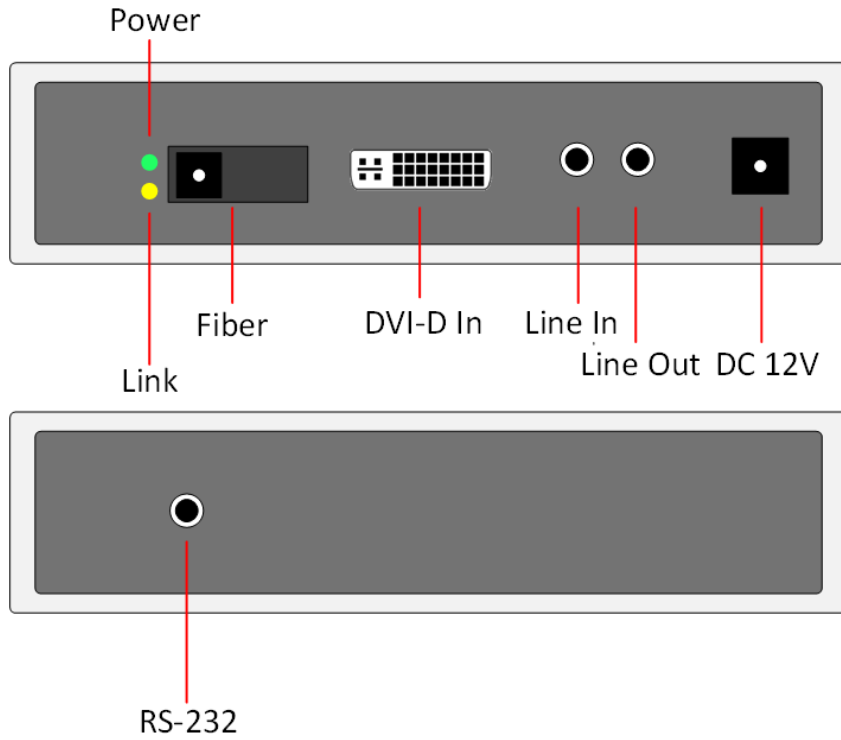


## Features

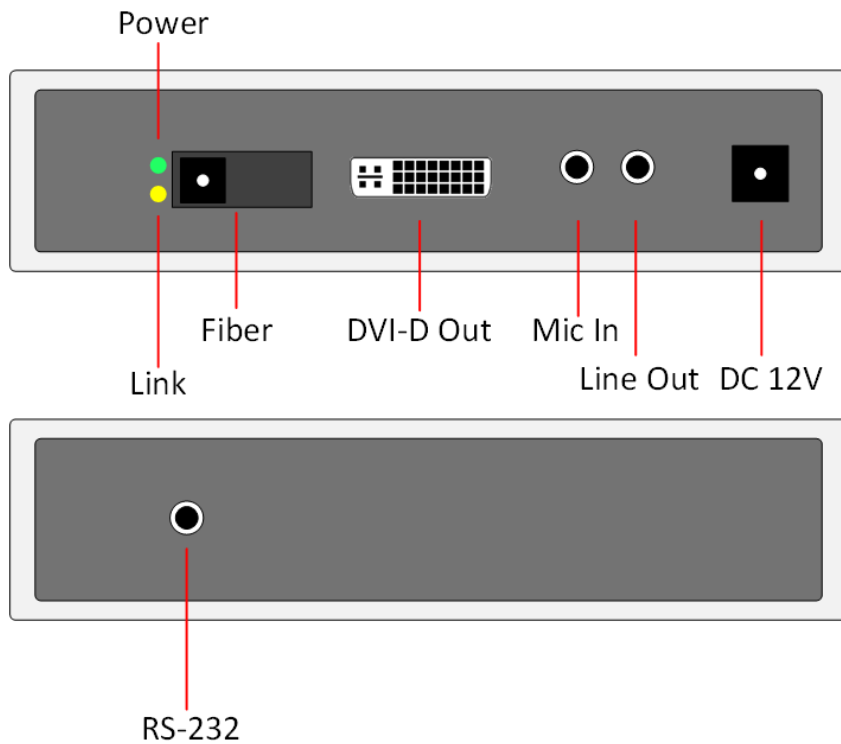
- Support PC HDMI 1080p or DVI-D 1920x1200@60Hz resolution with Low Latency.
- Support both Single- (1500m) and Multi-Mode (550m) Optical Fiber cable.
- Only One Fiber Cable Required for DVI + Audio + RS232.
- Support bi-directional audio, you can have speaker and microphone at Receiver site.
- Support 2-way RS-232 extension for display or system control.
- Pure hardware design, plug-and-play, no additional software installation is required.

# Front & Back View

## DV-961FT Transmitter



## DV-961FR Receiver



# Specification

Model No.		DV-961FT Transmitter	DV-961FR Receiver
Connectors	HDMI/DVI-D In	1	N/A
	HDMI/DVI-D Out	N/A	1
	Audio	1 x Line-In and 1 x Line-Out	1 x Line-Out and 1 x Mic-In
	Power	12V 2A	
	System port	SC connector	
	RS-232	3.5mm-to-DB9 adapter cable provided	
Resolution		1920x1200@60Hz (or 1080p)	
Inter-connect Cable		Single or Multi Mode SC-SC Optical Fiber	
Environment	OP Temperature	0 ~ 70°C	
	ST Temperature	-20 ~ 85°C	
	Humidity	0 ~ 80% Non-condensing	
Physical Properties	Material	Metal with standard 100 x 100 VESA mount support	
	Weight	449 g	457 g
	Dimension (L x W x H)	152 x 110 x 29 mm	

# Diagram

PC or Device with HDMI/DVI

