

# LEC-2290

Intelligent Edge Computing Box PC  
w/ Support for Intel® Core™ i7-8700T/i7-8700



## ■ Features

- Intel® Core™ i7-8700T/i7-8700
- 2x DDR4 2133/2400 SO-DIMM, Max. 32GB
- 2x RJ45 GbE LAN, 4x PoE, 4x USB3.0, 6x COM Ports, 8x DI & 8x DO
- 2x Removable HDD/SSD External Slot w/ RAID, 1x mSATA
- 1x PCIe\*16, 1x PCIe\*4, 1x Mini-PCIe (PCIe + USB2.0) w/ Nano-SIM, 1x B Key M.2 (PCIe + USB3.0) w/ Nano-SIM

## ■ Specifications

### Processor System

CPU	Support Intel® Core™ i7-8700T/i7-8700 Core i (FCLGA1152), Codenamed Coffee Lake S
Frequency	3.2GHz
Core Number	-
BIOS	AMI 256Mbit SPI Flash BIOS
Chipset	FH82C246
Fanless	Yes (see *1)

### Memory

Technology	DDR4 2133/2400 SO-DIMM
Max. Capacity	32 GB
Socket	2x 260-pin SO-DIMM

### Graphic

Controller	Intel® UHD Graphics 630
HDMI	2
Audio	
Codec	TSI 92HD73C
Interface	1x Mic-in, 1x Line-out

### Ethernet

Controller	Intel i210IT
Speed	10/100/1000 Mbps
Interface	2x GbE RJ45, 4x PoE RJ45 @IEEE 802.3at (Total PoE Budget of 60W)

### Storage

Type	SATA III
Installation	2x Removable HDD/SSD External Slot w/ RAID

### I/O

Serial Port	6x D-Sub RS232/422/485
Digital I/O	8x DI, 8x DO (12V@100mA)
USB 2.0	-
USB 3.0	4x Type A
Power-On/Reset Button	1x Power-On, 1x Reset Button
Remote Power Switch	1x 2-pin Remote Power Switch
LED	Power/Storage/LTE/Wifi

### Expansion Interface

Mini-PCIe	1x Mini-PCIe (PCIe + USB2.0) w/ Nano-SIM
PCIe	1x PCIe*16 & 1x PCIe*4
M.2	1x B Key M.2 (PCIe + USB3.0) w/ Nano-SIM

### Watchdog Timer

Watchdog Timer 1~255 Level Time Interval System Reset, Software Programmable

### Power

Power Type	ATX
Power Supply Voltage	9~30 Vdc
Connector	1x 4-pin Terminal Block
Power Consumption (Idle)	29.5W@ +12Vdc-in (see *2)
Power Consumption (Full Load)	121.6W@ +12Vdc-in (see *2)

### Environment

Operating Temperature	-20°C~55°C (35W CPU) -20°C~45°C (65W CPU)
Storage Temperature	-40°C~70°C
Relative Humidity	10%~90% (Non-condensing)
Vibration	IEC 60068-2-64, 0.5Grms, random 5 ~500 Hz, 40 mins/axis

### Mechanical

Dimension (W x H x D)	275 x 115 x 225 mm
Construction	Aluminum Extrusion & SGCC
Weight	6.2 KG
Mounting	Wallmount

### Driver Support

Microsoft Windows	Windows 10 IoT 64bits Series Ubuntu 16 and Above Fedora 25 and Above Cent OS 7 and Above
Linux	Kernel 3.12

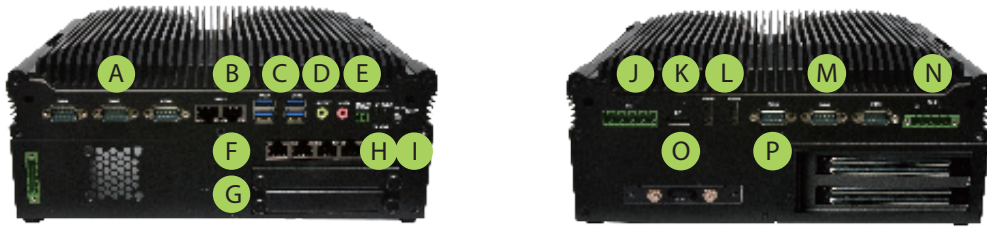
### Certification

EMC	CE/FCC, Class A
Safety	None

\*1 Active cooler may be needed when a high-power add-on card is plugged into PCI express expansion slot.

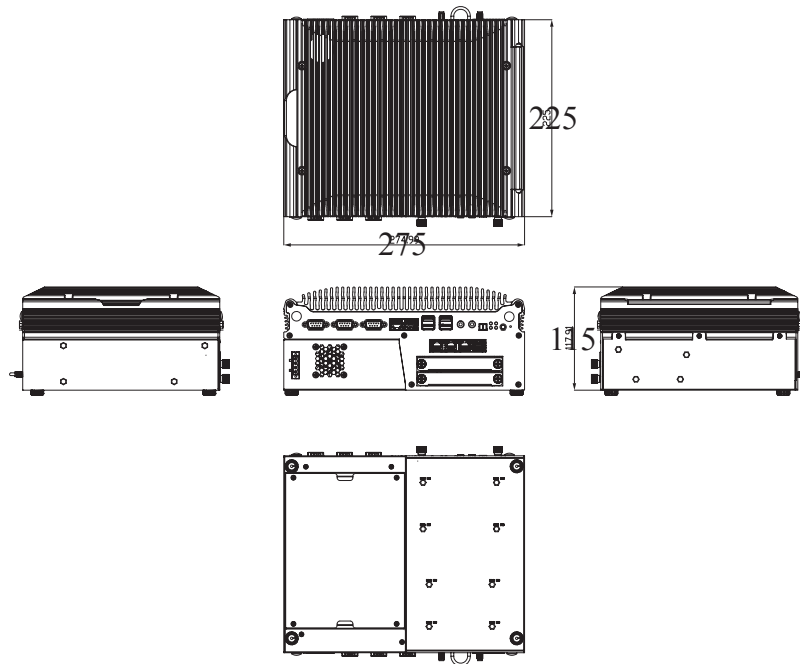
\*2 Configuration as Intel Core i7-8700 CPU, 8GB DDR4 system memory, 64MB mSATA, 1TB 2.5" SSD, 2TB 2.5" SSD, 180W AC/DC adaptor.

## Product I/O View



- |                          |                                    |                         |                   |
|--------------------------|------------------------------------|-------------------------|-------------------|
| <b>A</b> COM x3          | <b>E</b> Remote Power              | <b>I</b> On/Off & Reset | <b>M</b> COM x3   |
| <b>B</b> LAN x2          | <b>F</b> PoE x4                    | <b>J</b> DIO            | <b>N</b> DC-in    |
| <b>C</b> USB 3.0 x3      | <b>G</b> Removable HDD/SSD Slot x2 | <b>K</b> DP             | <b>O</b> Antennas |
| <b>D</b> LINE-out/MIC-in | <b>H</b> Status LED                | <b>L</b> HDMI x2        | <b>P</b> PCIe x2  |

## Dimensions (W x H x D) 275 x 115 x 225 mm (10.8" x 4.5" x 8.9")



## Ordering Information

LEC-2290A

Support Intel® Core™ i FCLGA1152 (Coffee Lake S) CPU w/ 2\*DDR4 SO-DIMM, 2\*HDMI, 1\*DP, 2\*GbE LAN, 4\*GbE PoE, 6\* RS-232/422/485, 4\*USB 3.0, DIO, Audio, 1\*mSATA, 2\*External 2.5" SATA Drive Bay, 1\*MiniPCI-E Slot w/ 1\*Sim Card Socket, 1\* M.2 Slot w/ 1\*Sim Card Socket, Support 1\* Removable M.2 w/ Dual SIM Carrier, 1x PCIe\*16 & 1x PCIe\*4 Expansion, +9~30VDC Input

V.1-2021.06.08

# Lanner

© Lanner Electronics Inc. All rights reserved.  
All product specifications are subject to change without notice.  
contact@lannerinc.com | www.lannerinc.com