



FEATURES

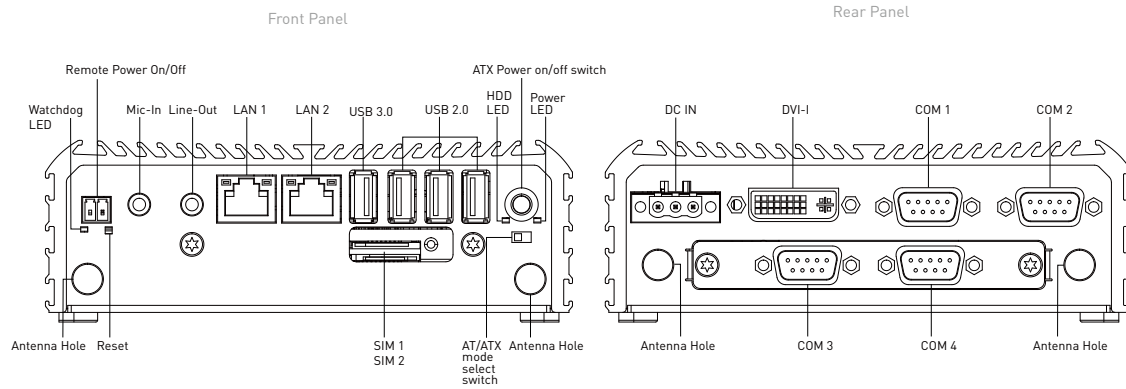
- Intel® Atom™ Processor E3845, 1.91GHz or Intel® Celeron® J1900, 2.0GHz
- 1x 204-Pin DDR3L 1066/1333MHz SODIMM. Max. up to 8 GB
- Dual independent display supported by 1x DVI-I
- 2x Intel® GbE supporting Wake-on-LAN and PXE
- 1x 2.5" SATA HDD bay, 1x mSATA, 2x SIM socket
- 2x Full-size mini PCIe for communication or expansion modules
- 4x RS-232/422/485, 1x USB 3.0, 3x USB 2.0
- 9 to 48VDC wide range power input supporting AT/ATX mode
- -40°C to 70°C extended operating temperature

SPECIFICATIONS

System	
Processor	Intel® Atom™ Processor E3845, Quad Core, 2MB Cache, 1.91 GHz Intel® Celeron® Processor J1900, Quad Core, 2MB Cache, 2.0 GHz
System Chipset	SoC integrated
LAN Chipset	GbE1 & GbE2: Intel® I210-AT (Support Wake-on-LAN and PXE)
Audio Codec	Realtek ALC888S
System Memory	1x 204-Pin DDR3L 1066/1333MHz SODIMM. Max. up to 8 GB
BIOS	AMI 64Mbit SPI BIOS
Watchdog	Software Programmable Supports 1~255 sec. System Reset
TPM	TPM 2.0 (Windows 10 Only)
Display	
VGA	Yes (by optional split cable)
DVI	1x DVI-I
Multiple Display	Dual Display
Storage	
SSD/HDD	1x Internal 2.5" SATA HDD Bay
mSATA	1x mSATA (shared by 1x Mini PCI Express)
SIM Socket	2x External SIM socket
Expansion	
Mini PCI Express	2x Full-size Mini PCIe
I/O	
COM	2x RS-232/422/485 2x RS-232/422/485 (module)
USB	1x USB 3.0, 3x USB 2.0
LAN	2x RJ45
Audio	1x Mic-in, 1x Line-out
DIO	4 in / 4 out (Isolated)
Others	4x WiFi Antenna Holes 1x Power Switch, 1x AT/ATX Switch, 1x Remote Power On/Off

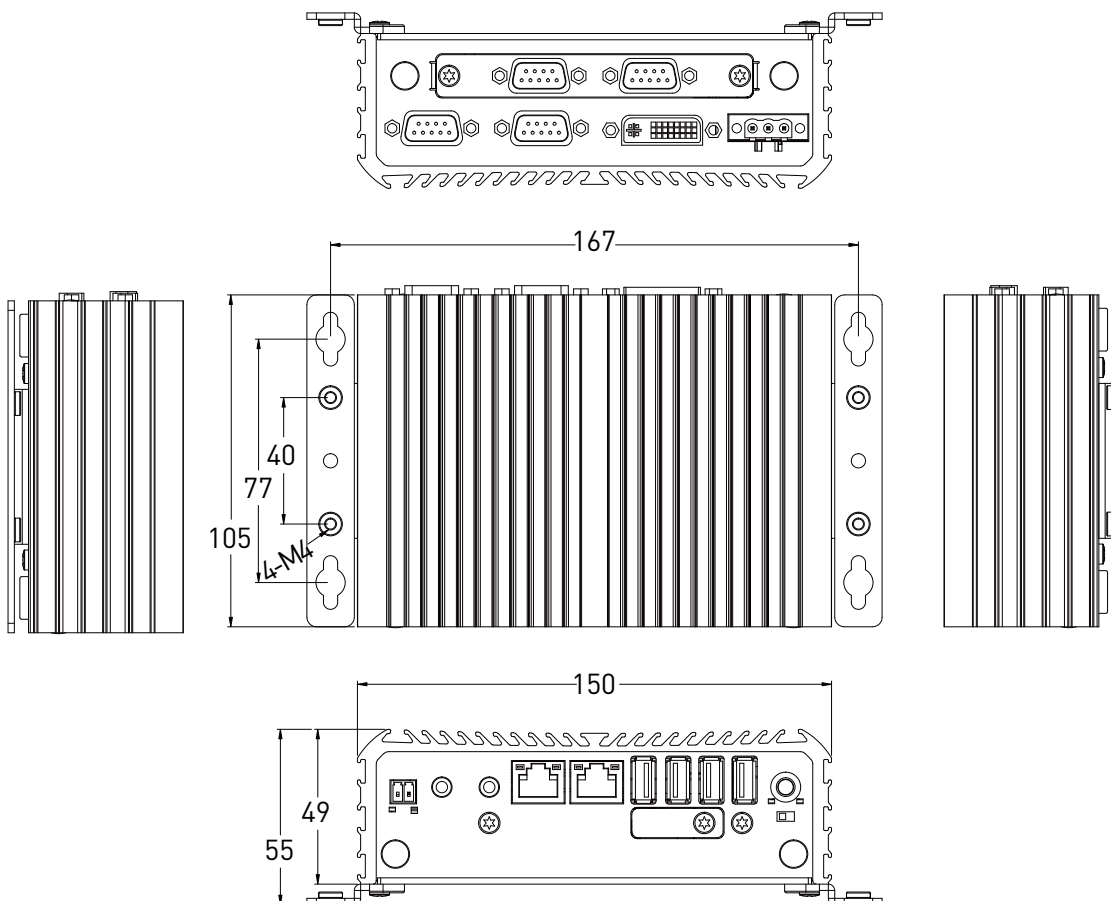
Operating System	
Windows	Windows 10, Windows 7, WES7
Linux	Linux kernel 3.X
Power	
Power Mode	AT, ATX
Power Supply Voltage	9~48VDC
Power Connector	3-pin Terminal Block
Power Adaptor	Optional AC/DC 12V/5A, 60W
Power Protection	OVP (Over Voltage Protection) OCP (Over Current Protection) Reverse Protection
Environment	
Operating Temp.	-40°C to 70°C
Storage Temp.	-40°C to 85°C
Relative Humidity	10% to 95% (non-condensing)
Vibration	With SSD: 5 Grms, 5 - 500 Hz, 0.5 hr/axis With HDD: 1 Grms, 5 - 500 Hz, 0.5 hr/axis
Shock	With SSD: 50G, half sine, 11ms
Standards / Certification	CE, FCC Class A
Physical	
Construction	Extruded Aluminum with Heavy Duty Metal
Dimension (WxDxH)	150 (W) x 105 (H) x 49 (H) mm
Weight	0.88 kg
Mounting	Wall Mounting Side / VESA / DIN-Rail Mounting (Optional)

EXTERNAL I/O MECHANICAL LAYOUT



DIMENSION

Unit: mm



ORDERING INFORMATION

MODEL NO.	DESCRIPTION
1-E09A06008	Adapter AC/DC 12V 5A 60W with 3pin Terminal Block Plug 5.0mm Pitch
SFICBL022	Power Cord, 3-pin US Type, 180cm
1-TPCD00002	Power Cord, European Type
1-TPCD00001	Power Cord, 3-pin UK Type, 180cm
3-SIDE-0002	RCO-1010 Series Side Mount Kit
3-VESA-0003	RCO-1000 Series VESA Mount Kit
3-DINR-0003	DIN-Rail Mount Kit

PACKING LIST

- 1x RCO-1000 Series Embedded System
- 1x Utility DVD Driver
- 1x Wall Mount Kit
- 1x Accessory Kit
- 1x DVI to VGA Adapter

AVAILABLE MODELS

MODEL NO.	DESCRIPTION
RCO-1010B-E3845	Compact Fanless Embedded System with Intel® E3845 CPU, 1xDVI, 4xCOM
RCO-1010B-J1900	Compact Fanless Embedded System with Intel® J1900 CPU, 1xDVI, 4xCOM