

## XC-900 SERIES XPERIENCE CONTROLLER

### XC range

The Nexmosphere XC range offers Xperience Controllers in a compact form factor while offering various onboard functionalities. Choose the right controller series based on the functionality needed, whether this is controlling multiple RGBW LED strips, pixel LED strips or (optical) audio switching. Combine this with Elements connected onto the X-talk channels to build your own unique experience.



### XC-900 series

The 900 series are equipped with audio switches to facilitate easy and seamless switching of an incoming audio stream from one speaker, soundbar or headphone to another. Both analog switches (3.5mm jack plug) and optical switches (Mini-Toslink) are available.

### Features

- X-talk interface for easy sensor connection
- Analog audio switches (3.5mm jack plug)
- Optical audio switches (Mini-Toslink)

	XC-931	XC-937	XC-938	XC-941	XC-947	XC-948
<b>X-Talk interfaces</b>	8	4	4	8	4	4
<b>Analog switches</b>	4	4	4	-	-	-
<b>Optical switches</b>	-	-	-	4	4	4
<b>X-Wave interfaces</b>	-	2	-	-	2	-
<b>RGBW LED outputs</b>	-	-	2	-	-	2

### X-talk interface

Connect a wide range of sensors, buttons, LEDs, or any other of the Nexmosphere Elements to create your unique shopper experience. Due to auto-configuration, no additional setup is required for seamless operation.

- Plug and smile interface
- Compatible with any of the Nexmosphere Elements
- Providing power to the connected Elements for easy system wiring

### Analog audio switching

Audio switching redirects the incoming external audio signal to any of the connected outputs. The solid state switching circuit guarantees a fast and click-free transition from one output channel to another.

- Multiple outputs can be selected simultaneously
- Supports line-out as well as headphones

### Optical audio switching

Optical audio switching redirects the incoming external audio stream to any of the connected Mini-Toslink outputs.

- Suitable for demoing and comparing 5.1 soundbars
- Multiple outputs can be selected simultaneously\*

\* depending on the connected soundbar the max. number of outputs which can be selected simultaneously is 2 to 4.

### USB interface

The industry standard USB interface allows 3rd party product interfacing. The Xperience controller manifests itself as a USB-to-Serial converter and is compatible with all mainstream operating systems and Digital Signage players.

- Reliable high-speed USB serial communication
- Easy interfacing with 3rd party products
- No special drivers needed\*

\* occasionally Windows devices need a VCP driver

### X-Script API

The X-Script API runs on the controller by default. All connected Elements and system behavior can be controlled with our standardized API commands.

### Benefits

- Auto start-up and configuration for highly reliable applications (24/7 operability)
- Compact form factor for easy installation in or behind displays
- Control multiple audio switches from one single controller
- Compatible with all Nexmosphere Elements

# XC-900 SERIES XPERIENCE CONTROLLER

## Thermal specifications

Operating temperature: +10°C...+40°C/ +50°F ... +104°F  
 Storage temperature: -20°C...+50°C/ -4°F ... +122°F  
 Cooling: Passive cooling (no moving parts)

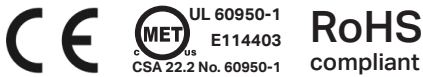
## Electrical specifications

Operating voltage: 12-24VDC  
 LPS power adapter  
 Max. system current: 4.0A  
 Power consumption: 0.2A  
 Max. output per X-Wave interface: 2.0A @5V (= ±1.0A @12V = ±0.5A @24V)  
 Max. output per X-talk interface: 500mA @5V (= ±0.3A @12V = ±0.2A @24V)  
 Max. output per RGBW output: 3.0A @ 12-24VDC

## Serial communication specifications

Baudrate: 115200  
 Data bits: 8  
 Parity: None  
 Stop bits: 1  
 Flow control: None  
 Protocol: ASCII  
 EOL: CR+LF

## Standards and Certifications



## Miscellaneous

- Robust compact housing with screw brackets for secure fixing
- Built-in magnets for easy mounting on metal surfaces
- Both horizontal and vertical mounting allowed
- Diagnostic LED indicating potential issues
- Status LED indicating power & input/output operations
- 1-year warranty (optional 3-year extended warranty available)

## Packaging

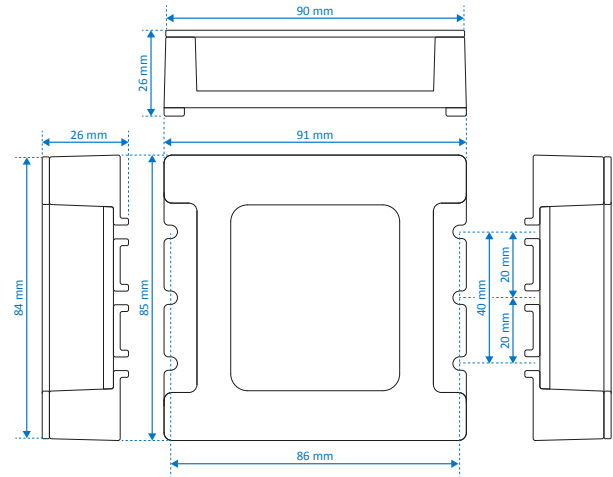
Netto Weight: 120g  
 Items per carton 1 or 10 pcs

## Ordering information

Product ID	Description	Quantity
XC-931	Xperience controller, Audio in, 4x Optical audio switch, 8x X-talk	1 pc
XC-937	Xperience controller, Audio in, 4x Optical audio switch, 2x X-Wave interface, 4x X-talk	1 pc
XC-938	Xperience controller, Audio in, 4x Optical audio switch, 2x RGBW LED output, 4x X-talk	1 pc
XC-941	Xperience controller, Audio in, 4x Audio switch 3.5mm analog, 8x X-talk	1 pc
XC-947	Xperience controller, Audio in, 4x Audio switch 3.5mm analog, 2x X-Wave interface, 4x X-talk	1 pc
XC-948	Xperience controller, Audio in, 4x Audio switch 3.5mm analog, 2x RGBW LED output, 4x X-talk	1 pc

## Mechanical dimensions

LxWxH: 91 x 86 x 26 mm  
 Screw fixation: 20 / 40 x 85 mm



## Hardware interfaces

	XC-931/941	XC-937/947	XC-938/948
1.	12-24VDC Power input, 2.1mm DC socket		
2.	API interface, Micro-USB		
3-6	X-talk interface, address 001-004		
7.	XC-93x: Input external optical audio source, Mini-Toslink XC-94x: Input external analog audio source, 3.5mm jack		
8-11	XC-93x: Optical audio switch, Mini-Toslink, channel 001-004 XC-94x: Analog audio switch, 3.5mm jack, channel 001-004		
12.	X-talk address 005	X-Wave address 005	RGBW channel 001
13.	X-talk address 006	-	-
14.	X-talk address 007	-	-
15.	X-talk address 008	X-Wave address 006	RGBW channel 002

