

SIO-W221-8365UE

21.5" 16:9 FHD Resistive / Capacitive Touch Stainless Steel Panel PC with Intel® Core™ i5-8365UE Processor



FEATURES

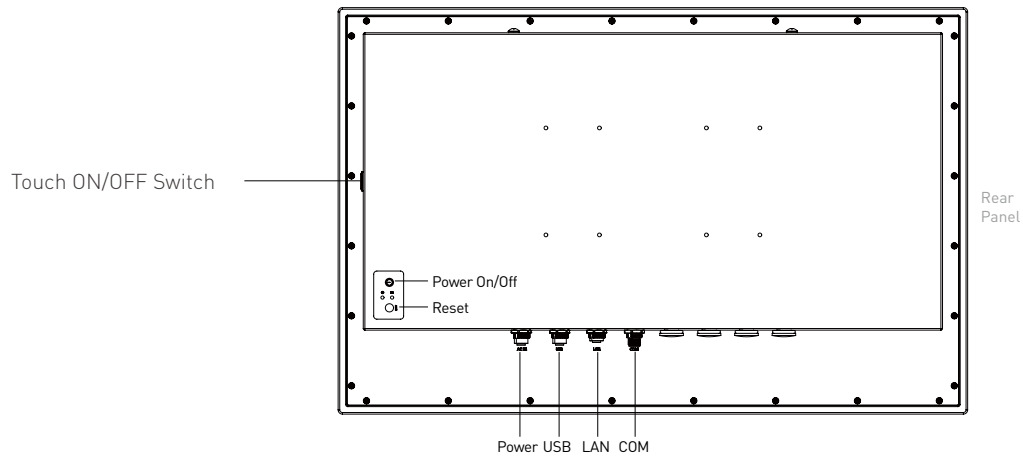
- 21.5" Full HD 16:9 LCD
with resistive 5-wire / projected capacitive touch
- Intel® Core™ i5-8365UE Processor, 4.10 GHz
- 1x 4GB DDR4 2400MHz SO-DIMM slot, 1x 64GB mSATA
- 1x M12 for 2x USB 2.0, 1x M12 for LAN, 1x M12 for COM
- 1x Full-size Mini PCIe for expansion
- Support 110V to 240V AC power input by M12 Power Connector
- -10°C to 50°C operating temperature
- Full system IP66/IP69K with Stainless Steel SUS316 construction
Fanless Industrial Display Computer
- Touch Function ON/OFF Switch

SPECIFICATIONS

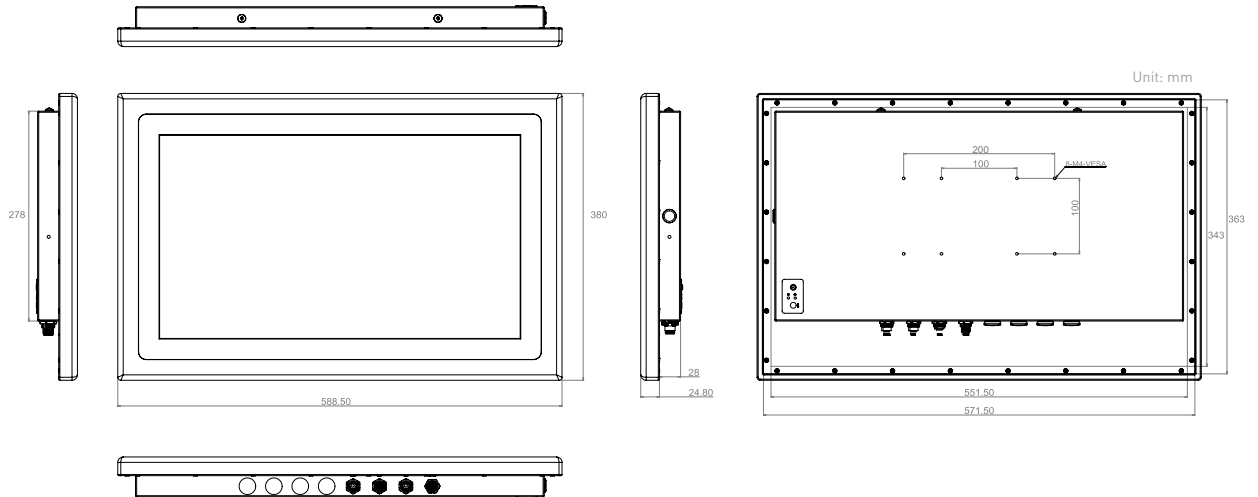
Display	
LCD Size	21.5" (16:9)
Max. Resolution	1920 x 1080 (FHD)
Brightness (cd/m ²)	300 / 1000 (Optional)
Contrast Ratio	1,000:1
LCD Color	16.7M
Pixel Pitch (mm)	0.248 (H) x 0.248 (V)
Viewing Angle (H-V)	178 / 178
Backlight MTBF	50000 hrs (LED Backlight)
Touch	
Resistive 5-wire	For SIO-W221R-8365UE
Projected Capacitive	For SIO-W221C-8365UE
System	
Processor	Intel® Core™ i5-8365UE Processor 6M Cache, up to 4.10 GHz
System Chipset	SoC integrated
LAN Chipset	GbE2: Intel® I210-IT (Support Wake-on-LAN and PXE)
Audio Codec	Realtek ALC888S HD Audio Codec
System Memory	1x 4GB DDR4 2400MHz SO-DIMM slot
Max. Size	16GB
BIOS	AMI uEFI 256MB SPI flash
Watchdog	Software Programmable Supports 1~255 sec. System Reset
Storage	
mSATA	64GB mSATA SSD
Expansion	
Mini PCI Express	1x Full-size Mini PCIe
SIM Socket	1x Internal SIM socket
I/O	
COM	1x RS-232/422/485 by M12 A-Code 8-pin
USB	2x USB 2.0 by M12 A-code 8-pin
LAN	1x LAN by M12 X-Code 8-pin
Other I/O By Option	1x Additional RS-232/422/485 by M12 A-Code 8-pin 2x Additional USB 2.0 by M12 A-Code 8-pin 1x Additional LAN by M12 X-Code 8-pin 2x WiFi Antenna

Other Features	
OSD	OSD: Power On/Off, Reset Touch: On/Off switch
Operating System	
Windows	Windows 10
Linux	Linux kernel 3.X
Power	
Power Mode	ATX
Power Supply Voltage	110 ~ 240V AC Input Optional 12V DC Input
Power Connector	M12 A-code 4-pin
Power Adaptor	Optional AC/DC 12V/5A, 60W
Environment	
Operating Temp.	-10°C to 50°C
Storage Temp.	-20°C to 70°C
Relative Humidity	10%-80% (non-condensing)
Vibration	With SSD: 2.4 Grms, 5 - 500 Hz, 0.5 hr/axis With HDD: 1 Grms, 5 - 500 Hz, 0.5 hr/axis
Shock	With SSD: 20G, half sine, 11ms
IP Level	Full System IP66/IP69K
Standards / Certification	CE, FCC Class A
Physical	
Construction	Stainless Steel SUS316
Dimension	588.5 (W) x 380 (H) x 52.8 (D) mm
Weight	SIO-W221R-8365UE: 12.11Kg SIO-W221C-8365UE: 11.97Kg
Mounting	VESA Mounting Holes 100 x 100mm or 200 x 100mm Optional Yoke Mount, Panel Mount

EXTERNAL I/O MECHANICAL LAYOUT



DIMENSION



ORDERING INFORMATION

MODEL NO.	DESCRIPTION
1-TPWR00027	Waterproof AC Power Input M12 A-CODE 4P PWR Cable to Plug Type_US L=3M
1-TPWR00028	Waterproof AC Power Input M12 A-CODE 4P PWR Cable to Plug Type_EU L=3M
1-TUSB00034	Waterproof USB 2.0 Cable 3M
1-TCOM00019	Waterproof COM Cable 3M
1-TLAN00015	Waterproof LAN Cable 3M

PACKING LIST

- 1x SIO-W221 Series Stainless Steel Panel PC
- 1x Utility DVD Driver
- 1x Waterproof Connector Cover Set

AVAILABLE MODELS

MODEL NO.	DESCRIPTION
SIO-W221R-8365UE	21.5" 16:9 FHD Resistive Touch Stainless Steel Panel PC with Intel® Core™ i5-8365UE Processor
SIO-W221C-8365UE	21.5" 16:9 FHD Capacitive Touch Stainless Steel Panel PC with Intel® Core™ i5-8365UE Processor
SIO-W221HR-8365UE	21.5" 16:9 FHD HB 1000nits Resistive Touch Stainless Steel Panel PC with Intel® Core™ i5-8365UE Processor
SIO-W221HC-8365UE	21.5" 16:9 FHD HB 1000nits Capacitive Touch Stainless Steel Panel PC with Intel® Core™ i5-8365UE Processor