

IIoT-I300

Industrial Environment Gateway IPC with
Intel® Apollo Lake CPU



This is a reference image. Please contact Lanner for more information.

■ Features

- Intel® Apollo Lake CPU
- 3x or 2x GbE LAN, 2x RS232/422/485 COM
- 2x USB 3.0 & 2x USB 2.0, 2x Display Ports, 4x DIO
- 1x M.2 3042 B Key For LTE w/ Dual SIM, 1x M.2 2230 E Key For WiFi
- 1x mSATA, 1x 2.5" SATA Drive Bay (Optional)
- 1x DDR3L SODIMM, Max. 8GB

■ Specifications

Processor System

CPU	Intel® Celeron® N3350/J3455
Frequency	1.1-2.4GHz (SKU A/C) 1.5-2.3GHz (SKU B/D)
Core Number	2C/4C
Chipset	SOC
BIOS	AMI SPI Flash BIOS
Fanless	Yes

Memory

Technology	DDR3L 1866 SODIMM
Max. Capacity	8 GB
Socket	1x SODIMM

Graphic

Controller	Intel® HD Graphics 500
Interface	2x Display Ports
Audio	
Codec	TBC
Interface	2x Phone Jacks For MIC-in & Line-out

Ethernet

Controller	Intel® i210-AT
Speed	10/100/1000 Mbps
Interface	3x Or 2x RJ45
Storage	1x SATA 1x mSATA

I/O

Serial Port	2x RS-232/422/485, DB9 Male
Digital Inputs	4
Digital Outputs	4
USB 2.0	2x Type A
USB 3.0	2x Type A
Power-On/Reset Button	1x Power On/Off, 1x Reset
Remote	-
LED	Power/LTE/Storage
Antenna Hole	2x SMA Antenna Holes

Expansion Interface

Mini-PCIe	N/A
-----------	-----

M.2	1x M.2 3042/3052 B Key For LTE 1x M.2 2230 E Key For WiFi5/WiFi6
PCI Express	-

Watchdog Timer

Watchdog Timer 1~255 Level Time Interval System Reset, Software Programmable

Power

Power Type	ATX
System Requirement	+24VDC
Input connector	DC Jack With Lock
Adapter	60W
Power Consumption (Idle)	115V: 8.3W, 230V: 8.8W
Power Consumption (Full)	115V: 17.6W, 230V: 17.1W

Environment

Operating Temperature	0°C~55°C
Storage Temperature	-30°C~70°C
Relative Humidity	10%~90% (Operating) 5%~95% (Non-operating)
Vibration	IEC 60068-2-64, 0.5Grms, Random 5~500Hz, 30 Mins/Axis

Mechanical

Dimension (W x H x D)	198 x 45.8 x 142 mm
Construction	Aluminum Extrusion with SGCC
Weight	3 KG (Package Weight)
Mounting	SFF Wallmount

Validated OS

Microsoft Windows	Win 10 IoT
Linux	Debian 11
MTBF (Hours)	
Time	>500K Hours At 25°C

Certification

Safety	UL, CB
EMC	CE/FCC Class A
Green Products	RoHS
Others	PTCRB

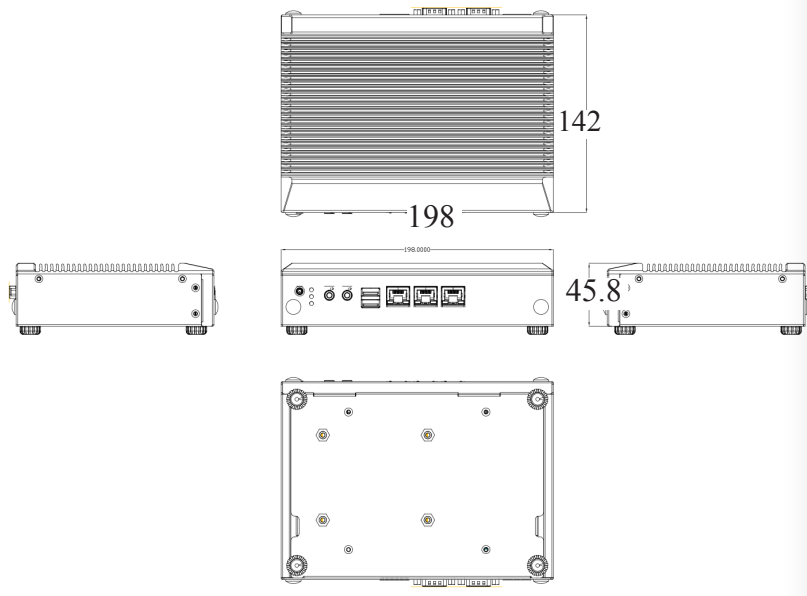
Product I/O View

Reference images. Please contact Lanner for more information.



- | | | | |
|----------------------------|-----------------|-----------------|----------------|
| A Power On/Off | D USB x2 | G COM x2 | J DP x2 |
| B LED | E LAN x3 | H DIO | K Reset |
| C MIC-In & Line-Out | F DC-in | I USB x2 | |

Dimensions (W x H x D) 198 x 45.8 x 142 mm (7.8" x 1.8" x 5.6")



Ordering Information

- IloT-1300A** Intel N3350 CPU With 1*DDR3L SODIMM, 1*DP, 3* RJ45 GbE LAN, 2* USB 3.0, 2* USB2.0, 2*DB9 For RS232/422/485, Audio, 4*DIO, 1*M.2 B-key 3042 For LTE With Dual SIM, 1*M.2 E-key 2230 For WiFi, 1*mSATA Slot, Optional For 1*2.5" SATA Drive Bay, +24VDC Input With AC/DC Adpater & Optional For Wallmount
- IloT-1300B** Intel J3455 CPU With 1*DDR3L SODIMM, 1*DP, 3* RJ45 GbE LAN, 2* USB 3.0, 2* USB2.0, 2*DB9 For RS232/422/485, Audio, 4*DIO, 1*M.2 B-key 3042 For LTE With Dual SIM, 1*M.2 E-key 2230 For WiFi, 1*mSATA Slot, Optional For 1*2.5" SATA Drive Bay, +24VDC Input With AC/DC Adpater & Optional For Wallmount
- IloT-1300C** Intel N3350 CPU With 1*DDR3L SODIMM, 1*DP, 2* RJ45 GbE LAN, 2* USB 3.0, 2* USB2.0, 2*DB9 For RS232/422/485, Audio, 4*DIO, 1*M.2 B-key 3042 For LTE With Dual SIM, 1*M.2 E-key 2230 For WiFi, 1*mSATA Slot, Optional For 1*2.5" SATA Drive Bay, +24VDC Input With AC/DC Adpater & Optional For Wallmount
- IloT-1300D** Intel J3455 CPU With 1*DDR3L SODIMM, 1*DP, 2* RJ45 GbE LAN, 2* USB 3.0, 2* USB2.0, 2*DB9 For RS232/422/485, Audio, 4*DIO, 1*M.2 B-key 3042 For LTE With Dual SIM, 1*M.2 E-key 2230 For WiFi, 1*mSATA Slot, Optional For 1*2.5" SATA Drive Bay, +24VDC Input With AC/DC Adpater & Optional For Wallmount

V.1-2022.11.08

Lanner

© Lanner Electronics Inc. All rights reserved.
All product specifications are subject to change without notice.
contact@lannerinc.com | www.lannerinc.com