

PPC-321W EHL

21.5" Fanless Panel PC with Intel® Celeron® J6412 Processor



Features

- Industrial-grade 21.5" FHD TFT LCD with 50K backlight lifetime
- Durable true-flat touchscreen with projected capacitive touch control
- Intel® Celeron® J6412 quad-core, 2.0 GHz, processor
- Up to 32 GB DDR4 SDRAM
- 1 x RS-232, 1 x RS-232/422/485, 2 x USB 2.0, and 2 x USB 3.1
- Compact, fanless design with solid aluminum alloy enclosure and IP66-rated front panel
- Supports E-key for wireless module
- Supports expansion via M.2 slot
- Supports Windows Embedded Linux and Android OS
- Supports VESA 75 x 75 mounting holes
- Dual 2.5GBASE-T Ethernet Supports Time-Sensitive Network(TSN) technology



Introduction

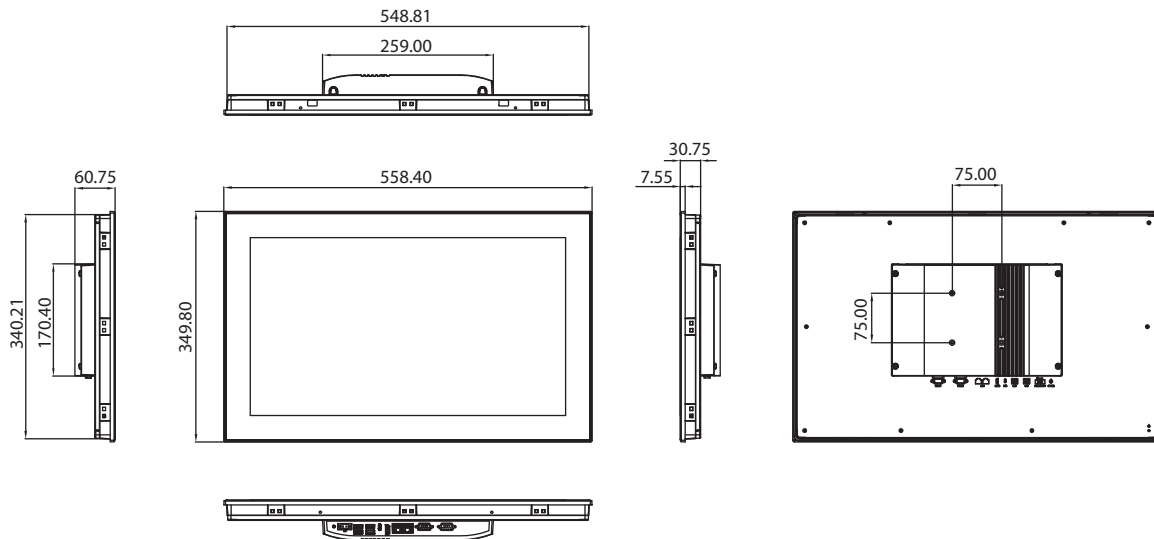
PPC-321w EHL is an industrial panel PC with 21.5" FHD LCD, powered by Intel Celeron quad core J6412 processor. With aesthetic aluminum alloy enclosure, PPC-321w EHL ensures fanless reliability and easy maintenance in diverse industrial applications. Moreover, it provides more faster and flexible connection via 2 x 2.5G Ethernet port, 2 x USB 3.1 and 1 x Type C (USB only). The PPC-321w EHL is ideal for MES, processing and general industrial equipment integration.

Specifications

System	CPU	Intel® Celeron® J6412 quad core
	Frequency	2.0 GHz
	L2 Cache	1.5 MB
	Memory	1 x SDRAM DDR4 3200 MHz (max. 32G)
	Storage	1 x 2.5" SATA bay (optional; requires a bracket module for installation) 1 x M.2 slot: M key for storage (SATA only, 2242 & 2280)
	Network (LAN)	2 x 10/100/1000/2500 Mbps Ethernet (Intel I225-LM)
	I/O	2 x Serial ports: 1 x RS-232, 1x RS-232/422/485 (Adjustable through BIOS) 2 x USB 2.0, 2 x USB 3.1 1 x Type C (USB only) 1 x HDMI1.4 1 x TPM2.0
	Expansion	1 x M.2 2230 E-key for wireless card
Physical Characteristics	Watchdog Timer	255 timer levels, set up by software
	Dimensions	558 x 350 x 61 mm (22 x 13.8 x 2.4 in)
OS Support	Weight	7.2 kg (15.87 lb)
	OS Support	Microsoft® Windows 10(64-bit), Linux, Android
Power Consumption	Input Voltage	12 ~ 30 V _{DC}
	Power Consumption	42W (Burn-in test 8.1 in Windows 10, 64-bit)
LCD	Display Type	21.5" TFT LCD (LED backlight)
	Resolution	1920 x 1080
	Viewing Angle	89 (left), 89 (right), 89 (up), 89 (down)
	Luminance (cd/m ²)	250
	Contrast Ratio	1000
	Backlight Lifetime	50,000 hr (min.)
Touchscreen	Touch Type	ELO Projected Capacitive Multi-touch
	Light Transmission	88±2%
	Controller	USB interface
	Durability (Touches)	Cover glass > 7H
Environment	Operating Temperature	-10 ~ 50°C (14 ~ 122°F)
	Storage Temperature	-20 ~ 60 °C (-4 ~ 140 °F)
	Relative Humidity	10 ~ 95% @ 40 °C (non-condensing)
	Shock	Operating 10 G peak acceleration (11 ms duration), follow IEC 60068-2-27
	Vibration	Operating Random Vibration Test 5 ~ 500Hz, 2Grms @with SSD, follow IEC 60068-2-64
	EMC	CE, FCC Class B, BSMI, UKCA, VCCI
	Safety	CB, CCC, BSMI, UL, UKCA
Front Panel Protection	IP66 compliant	

Dimensions

Unit: mm

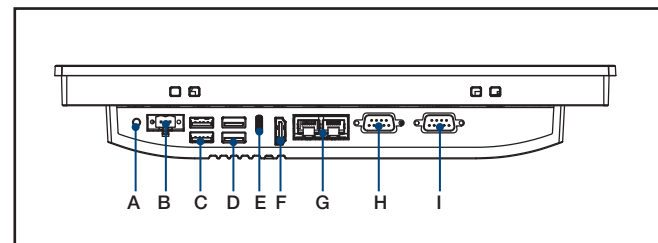


Panel Cutout Dimensions: 550.3 x 341.8 mm (21.66 x 13.45 in)

Ordering Information

Part Number	Description
PPC-321W-PJ60A	21.5" PPC w/Intel Celeron J6412, Projected Capacitive Multi-touch, assembled in China
PPC-321W-PJ60AU	21.5" PPC w/Intel Celeron J6412, Projected Capacitive Multi-touch, assembled in Taiwan
98R3P300020	Bracket module for 2.5" SSD/HDD installation
96PSA-A90W190T-3	A/D 100-240V 90W 19V C6 TERMINAL 2 PIN 62368
PPC-WLAN-C1E	M.2 Wi-Fi Module with Antenna cable support 2T2R
PPC-ARM-A03	ARM VESA Standard (A-CLEVER)
PPC-174T-WL-MTE	Wall mount kit for PPC series
PPC-Stand-A1E	Stand for PPC series
1700001524	Power cord 3P UL 10A 125V 1.8M
170203183C	Power cord 3P Europe (WS-010+083) 183cm
1700008921	Power cord 3P/3P 1.8M PSE
96CB-POWER-B-1.8MB	Power code 3P CCC(China) 1.8M
98R3P300010	PPC-300 RFID Read only 13.56MHz&125k

I/O View



- A. Power Switch
- B. DC-In
- C. 2 x USB 2.0
- D. 2 x USB 3.1
- E. 1 x Type C (USB only)
- F. 1 x HDMI
- G. 2 x LAN
- H. 1 x RS-232/422/485
- I. 1 x RS-232

Please note: If some optional modules are offered with the system, additional system certificates may be required in certain regions/countries. Please contact Advantech for certificate compliance.