

AIM-37

10.1" Industrial Tablet-Based Mini POS System



Features

- Industrial-Grade Panel with Anti-Glare, Anti-Fingerprint LCD display
- Corning® Gorilla® Glass 3 scratch-resistant touchscreen supports glove/stylus operation with palm detection
- Built-in 2MP front camera and 5MP rear camera
- IP54-rated protection from water and dust
- Built-in NFC Reader for various services
- Optional Built-in MSR / IC card reader / 2D barcode scanner
- Expandable USB 2.0 Pogo Pin connector with variable Peripherals
- Battery supports up to 8 hours operation
- Support 75 cm native free drop protection without external protection
- Support Android 6 & Windows 10 IoT Enterprise Operating System
- Swivel charging cradle with 80mm thermal printer
- Optional USB 2.0, RJ45, COM Port, Cash drawer expansion feasibility

Introduction

AIM-37 is an industrial-grade mobile point-of-sale (mPOS) system with a built-in barcode scanner and HD Corning® Gorilla® Glass display. The system design is surprisingly thin (17 mm) with an IP54-rated front panel protection from water and dust, as well as a directly bonded touchscreen with water tolerance and palm rejection for enhanced operation. AIM-37 also supports multiple OS and optional modules configurations for flexible operations. Additionally, AIM-37 can be integrated with various peripherals and flexible installation mounts to support diverse applications.

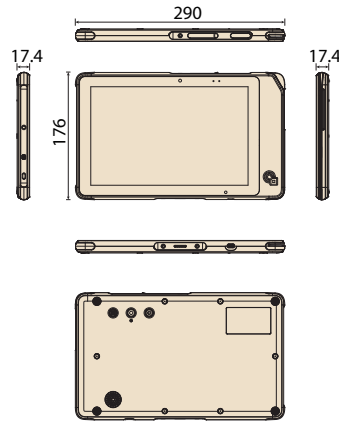
Specifications

| | | AIM-37AC-M | AIM-37AC-S |
|--------------------------|-----------------------|---|---|
| System | Processor | Intel® Atom™ qual-core x5-Z8350 Processor (up to 1.92GHz) | |
| | Memory | 4GB DDR3L | |
| | OS | Windows 10 IoT Enterprise | Windows 10 IoT Enterprise, Android 6.0 |
| Storage | eMMC | 64GB | |
| | Micro-SD | Micro-SD Card Slot for Storage Expansion up to 128GB | |
| Display | Type | 10.1" TFT IPS LCD Panel | |
| | Resolution | WXGA, 1280x800 | |
| | Brightness | 350 nits | |
| | Touch Type | Projected Capacitive Multi-Touch | |
| | Glass Type | G/G Direct Bonding, Corning GG3 Glass | |
| Communication | WLAN/Bluetooth | IEEE 802.11 a/b/g/n/ac | |
| | Bluetooth | Bluetooth® v4.2 | |
| | NFC | 13.56 MHz, compatible with ISO15693, ISO14443A, ISO 14443B, FeliCa | |
| Connectivity | Standard I/O | x1 Micro USB 2.0 (OTG & Charging) | |
| | Docking | x1 AIM Dock 6-pin Pogo Connector: USB 2.0 + Power | |
| Audio | Speaker | 1 x Internal Speaker (2W) | |
| | Audio Jack | x1 80dB 1Watt SPK 0.5M, x1 Audio combo jack | |
| Camera | Front | 2MP Fixed Focus | |
| | Rear | 5MP Auto Focus with LED Flash | |
| Sensors | | G-sensor + E-compass, Gyroscope, ALS | |
| Barcode Scanner | | Integrated 1D/2D barcode scanner | Integrated 1D/2D barcode scanner (optional) |
| Security | | Kensington security slot | |
| MSR | | 3-Track MSR with 3-DES encryption; Triple DES and AES Encryption; DUKPT key management | N/A |
| IC Card Reader | | EMV L1/L2 Certified 5V IC Card Reader; ISO/IEC 7816-1, 2, 3, 4; T=0 & T=1; supports TDES and AES encryption algorithms | N/A |
| Control Buttons | | x1 Power Button x1 Functional Button | x1 Power Button x1 Functional Button x2 Volume Control Button |
| | System Indicator | x1 Power / Battery Status x1 Barcode Scanner Status | |
| Power System | Input Voltage | Micro USB, DC 5V, Max 3A 6-pin Pogo Connector, DC 5V, Max 3A | |
| | Battery | Embedded Lithium-ion battery, Soft Pack (1S2P): 3.8V 7,900mAh (30 Watt) Operating time: up to 8 hours (depending on usage scenario) Charging time: 4 hr | |
| Environment | Operating Temperature | -10 ~ 50 °C (14 ~ 122 °F) | |
| | Storage Temperature | -10 ~ 60 °C (14 ~ 140 °F) | |
| | IP Rating | IP54 (Except MSR / IC Card slot) | IP54 |
| | Humidity | Operating and Storage: 5% ~ 95% (non-condensing) | |
| Physical Characteristics | Dimension (W x D x H) | 290 x 176 x 17.4 mm | |
| | Weight | 915g | 900g |
| | Color | Black + Cool Gray | |
| Certifications | | CE, FCC, CB, UL, NCC, BSMI, CCC | |

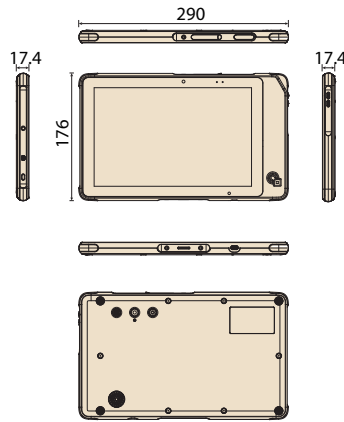
Dimensions

Unit: mm

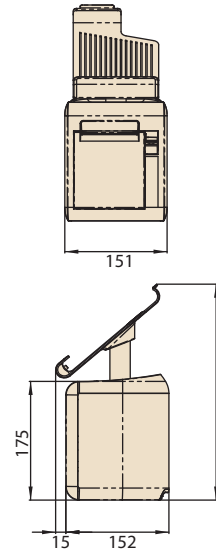
AIM-37AC-M



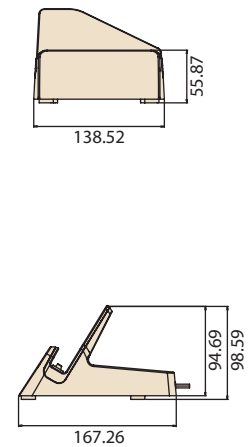
AIM-37AC-S



AIM-P701



AIM-P708



Ordering information

| Part Number | CPU | Memory | Storage | NFC/BT | WIFI | F-cam | R-cam | MSR/ICC | BCR | OS | Color | Adapter Plug |
|-------------------|---------------------|--------|---------|--------|------------|-------|-------|---------|-----|----------------------|------------|--------------|
| AIM-37AC-M0GR0110 | Intel Atom x5-Z8350 | 4GB | 64GB | V | a/b/g/n/ac | 2MP | 5MP | V | V | Win10 IOT Enterprise | Gray+Black | US |
| AIM-37AC-S0GR0100 | Intel Atom x5-Z8350 | 4GB | 64GB | V | a/b/g/n/ac | 2MP | 5MP | | | Win10 IOT Enterprise | Gray+Black | US |
| AIM-37AC-S0GR0110 | Intel Atom x5-Z8350 | 4GB | 64GB | V | a/b/g/n/ac | 2MP | 5MP | | V | Win10 IOT Enterprise | Gray+Black | US |
| AIM-37AC-S0GR1100 | Intel Atom x5-Z8350 | 4GB | 64GB | V | a/b/g/n/ac | 2MP | 5MP | | | Android 6.0 | Gray+Black | US |
| AIM-37AC-S0GR1110 | Intel Atom x5-Z8350 | 4GB | 64GB | V | a/b/g/n/ac | 2MP | 5MP | | V | Android 6.0 | Gray+Black | US |

Peripherals and Accessories

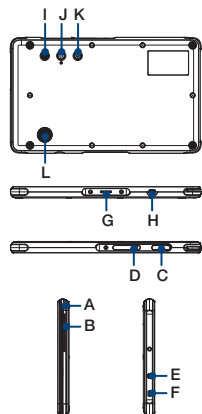
| P/N | Description |
|---------------|---|
| AIM-P701A0 | Thermal Printer Tabletop Cradle: Charging, USB 2.0 Type A x 2, COM (RJ48) x 2, RJ11 x 1, 80mm Thermal Printer, Auto cutter |
| AIM-P701D0 | BT Thermal Printer Tabletop Cradle: Charging, BT, USB 2.0 Type A x 2, COM (RJ48) x 2, RJ11 x 1, 80mm Thermal Printer, Auto cutter |
| AIM-P702 | Hand Strap |
| AIM-P703 | VESA Mounting Kit |
| AIM-P704 | Active Stylus for Touch Panel |
| AIM-P708A0 | Simple cradle (Single I/O port: DC-in 5V/3A via micro-USB & USB2.0 Type A x1) |
| AIM-P708C0 | Multifunctional Simple cradle (Rich I/O ports: DC-in 12V/3A, USB 2.0 Type A x2, COM Port (RS232) x1, RJ45 x1) |
| AIM-P707A2 | Magnet Charging Jacket(Case) for AIM-37 (via 6-pin pogo pin) |
| AIM-P708B2 | Magnet Charging Cradle for AIM-37 (via 6-pin pogo pin) |
| AIM-P709C0 | Magnet Charging Suite (Cradle & Jacket) |
| 1702002605 | AIM-P701/P705 Power cord 2P FRANCE 10A/16A 220V 1.83M 90D |
| 1702002600 | AIM-P701/P705 Power Cord 3P UL/CSA(USA) 125V 10A 1.83M 180D |
| 1700000596 | AIM-P701/P705 Power Cord (China) CCC,10A 250V, 3P 1830mm |
| 1700018704 | AIM-P701/P705 Power Cord UK BSI 2P 10A 250V 180cm 18AWG |
| 1700022938-01 | AIM-P701/P705 Power cord KC 10A 250V 3P 3m DAC-ST01 |

Cradle Specifications

| Model Name | AIM-P701A0 | AIM-P701D0 | AIM-P708A0 | AIM-P708C0 | |
|-----------------|--|--|---|--|-----|
| Supported OS | Windows 10 IoT Enterprise Android 6.0 | | | | |
| Swivel | 180° rotational | | N/A | N/A | |
| Pogo Pin | USB 2.0 & 5V/2A Charger | | | | |
| Thermal Printer | Interface | USB 2.0 | BT3.0+EDR+USB2.0 | | |
| | Paper width | 80mm/58mm | | | |
| | Paper roll | 70mm diameter | | | |
| | Printing speed | 200mm / s | | N/A | N/A |
| | Paper cutter | Auto Cut | | | |
| | Buttons | Open Door; Feed Paper | | | |
| | LEDs | Power indicator; error indicator | | | |
| I/O Port | 1 x DC IN 2 x USB 2.0 Type A 2 x COM Port (RJ48) 1 x Cash Drawer (RJ11) | 1 x DC IN 2 x USB 2.0 Type A 2 x COM Port (RJ48) 1 x Cash Drawer (RJ11) | 1 x DC IN (micro USB type with 5V/3A input) 1 x USB 2.0 Type A | 1 x DC IN (DC Jack with 12V/3A input) 2 x USB 2.0 Type A 1 x COM Port (RS232) + 1 x RJ45 | |
| Dimensions | 151 x 152 x 318 mm | | 138.52 x 167.26 x 98.59 mm | | |
| Environment | Operating Temperature | 0 ~ 40° C | | | |
| | Storage Temperature | -10 ~ +60° C | | | |
| | Operating Humidity | 5% ~ 95%, non-condensing | | | |

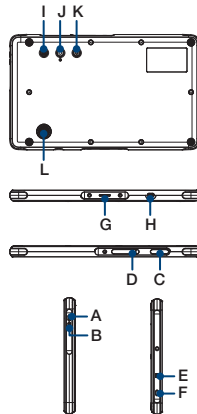
Fully-Integrated I/O

AIM-37AC-M



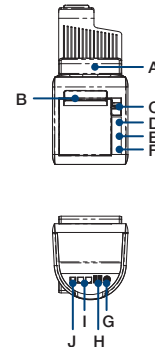
- A: MSR (Magnetic Swipe Card Reader)
- B: IC Card Reader
- C: 2D Barcode Scanner
- D: Micro SD Slot
- E: 3.5mm Audio Combo Jack
- F: Kensington Lock Slot
- G: Pogo Pin (DC-in and USB 2.0)
- H: Micro USB (2.0)
- I: Scanner Trigger
- J: 5MP Camera with LED Flash
- K: Power bottom
- L: Speaker

AIM-37AC-S



- A: Volume Up
- B: Volume Down
- C: Unused
- D: Micro SD Slot
- E: 3.5mm Audio Combo Jack
- F: Kensington Lock Slot
- G: Pogo Pin (DC-in and USB 2.0)
- H: Micro USB (2.0)
- I: Functional Button
- J: 5MP Camera with LED Flash
- K: Power bottom
- L: Speaker

AIM-P701



- A: Tablet Holder
- B: Auto Cutter
- C: Open Door
- D: Power Indicator
- E: Error Indicator
- F: Out of paper Indicator
- G: DC Jack
- H: USB Type A
- I: COM Port (RJ48)
- J: Cash Drawer (RJ11)

AIM-37 Peripherals and Accessories

Thermal Printer



Hand Strap



VESA Mounting



| Part Number | AIM-P701A0 / AIM-P701D0 | AIM-P702 | AIM-P703 |
|-------------------|--|---|---|
| Color | Gray | Black | Black |
| Dimensions | 152 x 151 x 318 mm (5.98 x 5.94 x 12.52 in) | 180 x 285 mm (7.08 x 11.22 in) | 265.3 x 209.2 x 30.9 mm (10.44 x 8.24 x 1.22 in) |
| Weight | 2250g (4.96lb) | 165g (0.36lb) | 710g (1.56lb) |
| Feature | <ul style="list-style-type: none"> Smart Mini POS Cradle with receipt printer Embedded WINPOS 3" thermal printer Rich I/O port (2 x USB Type A, 2 x COM Ports, 1 x Cash Drawer trigger) | <ul style="list-style-type: none"> Synthetic leather w/ Elastic band Easily removed screw for rapid installation Extra protection against drop | <ul style="list-style-type: none"> 75x 75mm Standard VESA Specification Easy installation |

P-CAP Stylus



Simple Charger



| Part Number | AIM-P704 | AIM-P708A0 / AIM-P708C0 |
|-------------------|---|--|
| Color | Black | Gray |
| Dimensions | 140 x 9.7 mm (5.51 x 0.38 in) | 167 x 138 x 98 mm (6.57 x 5.43 x 3.86 in) |
| Weight | 20g (0.044 lb) | 550g (1.21lb) |
| Feature | <ul style="list-style-type: none"> Windows hardware certification approved Palm detection Pressure Detection | <ul style="list-style-type: none"> Compact and stylish cradle for AIM-37 industrial tablet Suitable for table-site ordering and information checking Provide another charging method to retail customer |

Magnet Charging Jacket



Magnet Charging Cradle



| Part Number | AIM-P707A2 | AIM-P708B2 |
|----------------------------|---|----------------------------|
| Bundled Part Number | AIM-P709C0 | |
| Color | Gray | Gray |
| Dimensions | 299.96 x 183.48 x 20.4 mm | 302.63 x 125.00 x 53.71 mm |
| Weight | 0.37 KG | 1.42 KG |
| Feature | <ul style="list-style-type: none"> Favorable charging station in the retail and hospitality Accommodating to both desk-top and wall-mounting modes Waterproof charging design better adaptation to the complex setting | |