



Features

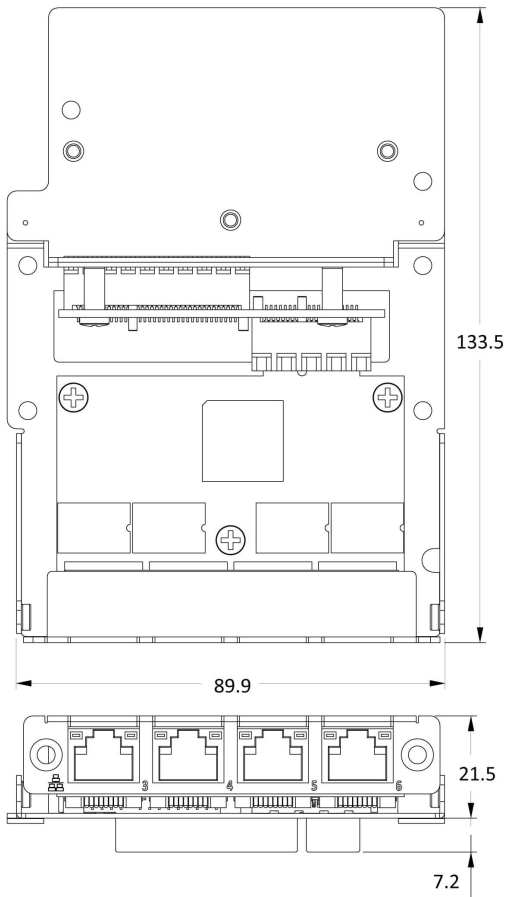
EDGEBoost I/O module supporting 4x GbE LAN ports for wired connectivity. Optional Power over Ethernet support is available through an additional add-on module

- 4x RJ45 1GbE LAN Ports
- Intel® Ethernet Controller I210
- PCIe x1 Gold Fingers Interface (PCIe 3.0 x1 Performance)
- Occupies 1x EDGEBoost Bracket

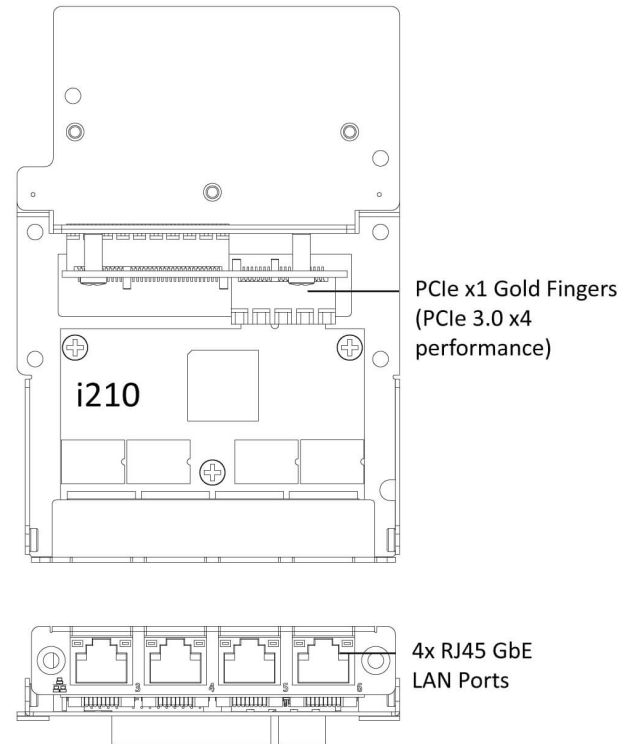
Specifications

| | |
|------------------------------|---|
| LAN Chipset | Intel® Ethernet Controller I210 |
| Interface | PCIe x1 gold finger (PCIe 3.0 x4 performance) |
| Additional I/O | 4x RJ45 GbE LAN Ports |
| I/O Bracket | Occupies 1x EDGEBoost Bracket |
| Standards and Certifications | CE, FCC Class A |

Dimension (Unit: mm)



External I/O Mechanical Layout



* All specifications and photos are subject to change without notice.