



## DATASHEET

### AirLink® RX55



Compact Series Routers

**Compact, Rugged,  
Low power, LTE  
Router for Industrial  
IoT, SCADA and fleet  
applications in private  
and public networks.**

### KEY FEATURES

- 4G LTE-A
- Dual 1x1 Wi-Fi 5
- 1 Gigabit Ethernet
- Single/Dual Serial
- GNSS
- IP64 Rated
- AirLink OS with AirLink Complete

### RX55 Product Description

The AirLink® RX55 is optimized for Industrial IoT with ultra-low power consumption and a rugged design for extreme conditions. With advanced networking and industry-standard container support capabilities, the RX55 delivers intelligence securely at the edge for mission-critical applications on both public and private networks.

### Ideal Applications

Reliable connectivity for fixed and mobile assets in:

- Utilities
- Oil & Gas
- Public Safety
- Agriculture
- Environmental monitoring
- Critical Infrastructure
- Smart Cities

### Benefits

- Compact size makes installation easier
- Ultra-low power consumption makes it ideal for solar or battery-powered applications
- Connect to a wide variety of devices from video to low-power IoT
- Remote device management through AirLink Complete
- Ready for your edge computing workloads (Beta)

## RX55 Services and Support



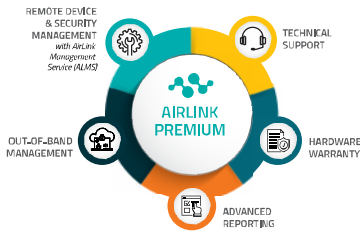
### AIRLINK COMPLETE

Maximize your AirLink RX55 hardware investment with AirLink Complete – a comprehensive service package designed to empower you with the tools and support necessary to secure, optimize and effortlessly scale your RX55 deployments.

AirLink Complete includes\*:

- **AirLink Management Service (ALMS)** for remote device and security management
- **Expert technical support**
- **Extended hardware warranty** – up to 5 years maximum
- For more information on AirLink Complete visit our [web page](#)

*\*With active subscription. 1-year subscription included with the RX55 purchase*



### AIRLINK PREMIUM

Ideal for organizations managing mission-critical vehicle fleets, this service upgrade encompasses all the benefits of [AirLink Complete](#)\*, enhanced with:

- **Advanced Mobility Reporting\***: Offers comprehensive coverage and fleet reporting to monitor your network and vehicles.
- **Advance Replacement\***: Provides same-day shipping for in-warranty router replacements, minimizing downtime, spare inventory and keeping your operations running smoothly.

*\*With active subscription.*



### HYBRID CLOUD

This optional feature merges the benefits of cloud technology with on-premise security controls for the management of your AirLink XR and RX routers, offering ultimate security and control.

[Hybrid Cloud](#) is available to add to an active AirLink Complete or Premium subscription.



### AIRLINK CONNECTION MANAGER (ACM) – MOBILE VPN

This purpose-built VPN solution securely extends your enterprise network to your AirLink router and its connected devices and applications.

Optimized for use in a mobile, multi-network environment, it seamlessly maintains VPN tunnels as users roam between multiple carrier and Wi-Fi networks to prevent downtime and loss of communications.

Available in a FIPS 140-2 compliant offering.



### ANTENNAS

- Tested and certified to provide guaranteed performance with all AirLink routers
- Accelerate deployment with always-on, end-to-end connectivity
- For more information on antennas specific to the RX55 router visit our [web page](#)

## AirLink RX55 – Router Specifications

KEY FEATURES	
Cellular Radios	4G LTE-A
Wi-Fi	Dual 1x1 Wi-Fi 5
Ethernet	1x Gigabit Ethernet Port (RJ45)
Serial	Dual RS-232 serial port (DB9) - Base Model (with optional Y-cable) Single RS-232 serial port (DB9) - Wi-Fi & Wi-Fi Plus Model
GNSS	30 Channel GNSS
CAN	Wi-Fi & Wi-Fi Plus Model (with optional Y-cable)
I/O	1 GPIO
USB	USB 2.0 Micro-B
IP Rating	Sealed Aluminum Housing (IP64)
Services	AirLink Complete
Operating System	AirLink OS
Management System	ALMS

	NAM	EMEA-APAC
<b>CELLULAR</b>		
Technology	4G LTE-A	4G LTE-A
Cellular	4G, 3G	4G, 3G
Peak Downlink (Theoretical)	300 Mbps	300 Mbps
Peak Uplink (Theoretical)	150 Mbps	150 Mbps
LTE Category	Cat-7	Cat-7
Region	NAM	EMEA, APAC
Radio	EM7411	EM7421
MIMO	2x2	2x2
RF Connectors	SMA	SMA
SIM	Dual SIM (Mini-2FF)	Dual SIM (Mini-2FF)

## DATASHEET – AirLink RX55

NAM		EMEA-APAC	
FREQUENCY BANDS			
	4G LTE	3G (HSPA+)	
			4G LTE 3G (HSPA+)
1			B1 B1
2	B2	B2	
3			B3
4	B4	B4	
5	B5	B5	B5
7	B7		B7
8			B8 B8
12	B12		
13	B13		
14	B14		
20			B20
25	B25		
26	B26		
28			B28
32			B32
38			B38
40			B40
41	B41		B41
42	B42		B42
43	B43		B43
48	B48		
66	B66		
71	B71		

# DATASHEET – AirLink RX55

	NAM	EMEA-APAC
<b>WIRELESS CERTIFICATION</b>		
Regulatory	FCC, IC/ISED, PTCRB	GCF, CE, RED, RCM
Carrier	Verizon, AT&T, T-Mobile, Bell, CBRS	
Public Safety	FirstNet®	
Part Numbers	1104927 Base 1104928 Wi-Fi 1104934 Wi-Fi Plus	1104929 Base 1104930 Wi-Fi 1104933 Wi-Fi Plus

<b>WI-FI (Optional)</b>	
Wi-Fi Standard	Wi-Fi 5
Access Point	Dual
Client (Depot/WAN)	Yes
Client & AP	Yes
Peak Throughput (Theoretical)	433 Mbps
MIMO	Dual 1x1
Security	WPA2 Enterprise
Clients	10 per radio
SSID	1 per radio
Output Power	16 dBm
Frequency	2.4/5 GHz
RF Connectors	SMA (Reverse Polarity)

<b>ENVIRONMENTAL</b>	
Operating Temperature	-40°C to +70°C / -40°F to +158°F -30°C to +70°C / -22°F to +158°F (Wi-Fi variant)
Storage Temperature	-40°C to +85°C / -40°F to +185°F
Humidity	95% RH @ 60°C
Military Specification	MIL-STD-810G (shock, vibration, thermal shock, humidity)
IP Rating	IP64

<b>INDUSTRY CERTIFICATIONS</b>	
Safety	IECEE Certification Bodies Scheme (CB Scheme)
Vehicle Usage	E-Mark (UN ECE Regulation 10.04), ISO7637-2, SAE J1455 (Shock, Vibration, Electrical)
Environmental Directives	RoHS2, REACH, WEEE, Prop 65
Hazardous Environments	Class 1 Div 2 – Ambient temperatures of -30°C to +60°C IECEX & ATEX
Rail Usage	North America: EN50155 EMEA & APAC: EN50155/EN45545 (Rolling Stock)

<b>POWER</b>	
Input Voltage	7 to 36 VDC
Power Consumption	LTE Idle Power: 717mW (75 mA @ 12VDC) Standby Mode Power: 38mW (4.4 mA @ 12 VDC) triggered on low voltage, I/O or periodic timer
Power Modes	Low voltage disconnect to prevent battery drain Built-in protection against voltage transients including 5 VDC engine cranking and +200 VDC load dump Ignition Sense with time delay shutdown Configurable features and ports to optimize power consumption

<b>SECURITY</b>	
AAA	802.1x /Radius authentication with Wi-Fi and Ethernet
Firewall	Stateful firewall with port forwarding, DMZ
WLAN Encryption	WPA2/WPA3 Personal/Enterprise
Firmware Update	Secure Firmware Update

# DATASHEET – AirLink RX55

NETWORK AND ROUTING	
	Semtech Cognitive Wireless IPv4 and IPv6 Routing Network Address Translation (NAT) Port Forwarding DHCP Server IP Passthrough LAN Segmentation IPv4 Passthrough and IPv6 Prefix Extension WAN/LAN Connection Policy Management Policy-Based Routing Configurable MTU size Static Routing WAN Ethernet
QoS	Application/Traffic Priority Queuing
WAN Monitors	Connection Failure Recovery
VPN	
	Integrated with ACM VPN Server IPsec protocol with IKEv1/IKEv2 FIPS 140-2 Level 1 compliant
Encryption	AES128/AES192/AES256
Hashing	SHA256/SHA384/SHA512
Key Exchange	DHGroup14/15/16/17/18/19/20/21
	LAN to LAN and Host to LAN Up to 10 concurrent tunnels per link MOBIKE protocol IP compression Full/Split Tunnel Dead Peer Detection (DPD)
ROUTER MANAGEMENT INTERFACES	
	ALMS Local web user interface REST API (Beta)
EDGE COMPUTING	
	Support for Edge Compute Containerized Applications (Beta)
RAM <sup>1,2</sup>	50 MB (Base & Wi-Fi) 200 MB (Wi-Fi Plus)
Storage (Flash) <sup>1</sup>	200 MB (Base & Wi-Fi) 2.8 GB (Wi-Fi Plus)
CPU	Dual Core ARMv7 32-bit

1. Approximation available to containers (not device total)  
2. Depends on other enabled features

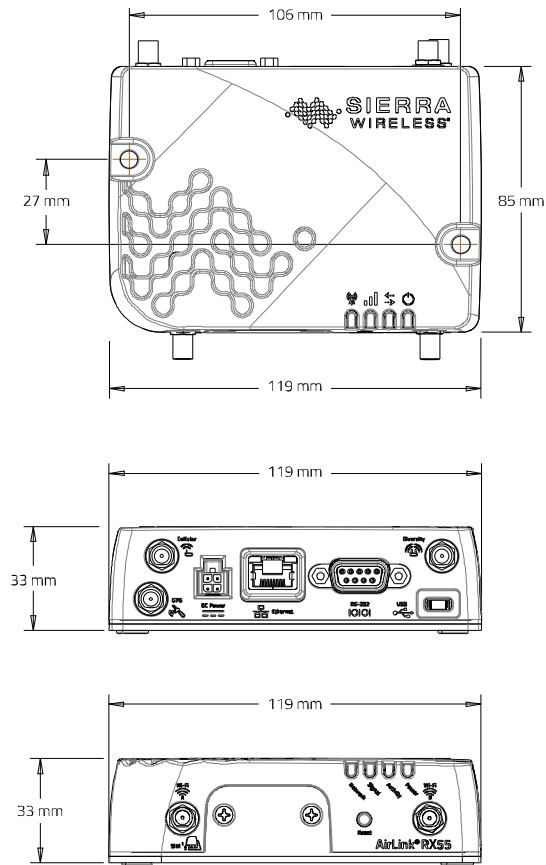
AIRLINK COMPLETE (1 Year Included With Router Purchase)	
Support	24/7 technical support*
Hardware Warranty	1-year standard hardware warranty Extended hardware warranty up to 5 years with current subscription**
Device Management	AirLink Management Service (ALMS)*
Software Updates	Unrestricted critical firmware updates
AIRLINK PREMIUM (Optional Upgrade) Includes All Airlink Complete Features* and Adds:	
Advanced Mobility Reporting	Coverage and fleet reporting***
Advance Replacement	Same-day shipping for in-warranty router replacements***
RELIABILITY	
MTBF	> 100 years <ul style="list-style-type: none"> <li>Ground Benign, 25°C</li> <li>MTBF calculations performed per Telcordia "Reliability Prediction Procedure for Electronic Equipment" document number SR-332, Method I, Issue 3</li> </ul>
ACCESSORIES	
In The Box	RX55, DC Power Cable and Quick Start Guide, AirLink Complete Leaflet
Other Accessories (sold separately)	2000579 AC Adapter, 12VDC 6000659 DIN Rail Bracket 6001238 Dual Serial Y-cable 6001479 Serial CAN Y-cable For Antenna options visit: <a href="#">web page</a>
DIMENSIONS	
Size	119 mm x 33 mm x 85 mm (102 mm including Wi-Fi connectors) 4.69 in x 1.34 in x 3.35 in (3.70 in including connectors)
Weight	320 g / 0.7 lb

\*With current AirLink Complete subscription

\*\*Full warranty terms are available at [www.sierrawireless.com/end-user-warranty](http://www.sierrawireless.com/end-user-warranty)

\*\*\*With current AirLink Premium subscription

## AirLink RX55 – Router Dimensions Diagram



### About Semtech

Semtech Corporation (Nasdaq: SMTC) is a high-performance semiconductor, IoT systems and cloud connectivity service provider dedicated to delivering high-quality technology solutions that enable a smarter, more connected and sustainable planet. Our global teams are committed to empowering solution architects and application developers to develop breakthrough products for the infrastructure, industrial and consumer markets.

To learn more about Semtech technology, visit us at [Semtech.com](https://www.semtech.com) or follow us on [LinkedIn](#) or [X](#).

"Semtech", "Sierra Wireless" and "AirLink" are registered trademarks of Semtech Corporation or its subsidiaries. Other product or service names mentioned herein may be the trademarks of their respective owners. © 2022 Sierra Wireless, Inc. © 2023 Semtech Corporation. All rights reserved. 2024.04.22